

SONY

Hi-Fi Products
Service Bulletin

Sony Service Company - Technical Services
A Division of Sony Corporation of America
Sony Drive, Park Ridge, New Jersey 07656

Model: TCD-D3

No. 276

Subject: Preventing Damage To Flex Cable On Drum Assembly

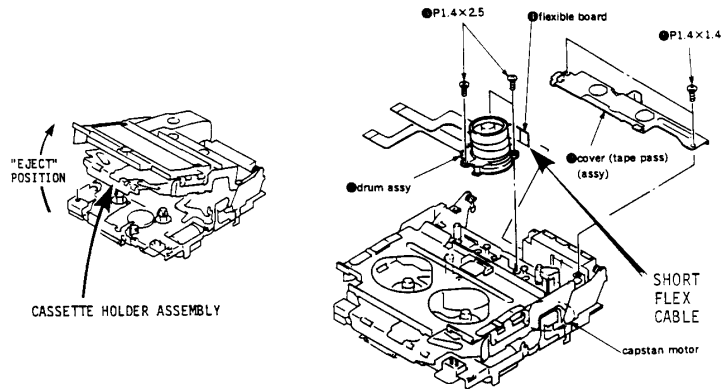
Date: June 30, 1992

Symptom:
(**)

The short flex cable on the drum assembly may be damaged when replacing the assembly.

Solution:

When positioning the drum assembly back into place, make sure that the cassette holder assembly is in the "EJECT" position. This allows the tape pass cover to be re-installed with less risk of damage to the flex cable.



CSA-13 DAT